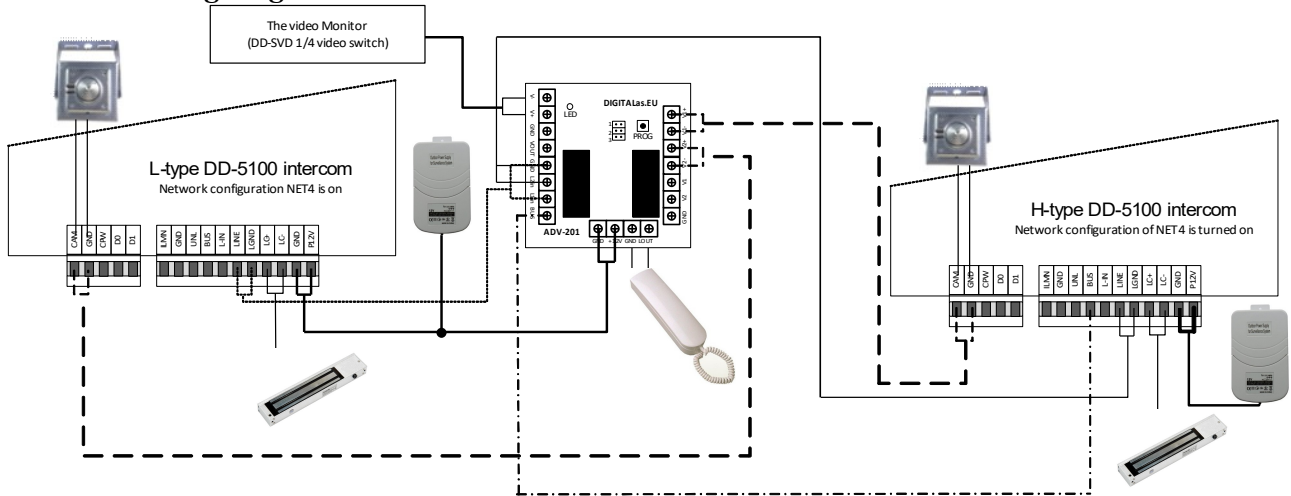


ADV-201 User Manual

ADV-201 wiring diagram:



Programming:

ID structure: ID = [*HTO*] (*H* – hundreds, *T* – tens, *O* – ones).

Entering programming mode:

Shortly push *PROG* button. After 1 sec. *LED* diode will turn off and ADV-201 will enter programming mode. If *PROG* button was pushed accidentally and no action is performed, settings of device will not be affected.

Entering ID number:

ID entering sequence: first we have to enter *H* (hundreds), then *T* (tens) and after that *O* (ones). One push of *PROG* button is equal to 1, two pushes is equal to 2, and so on. If we want to enter ZERO we wait for 3 sec. and don't push button. After entering one number, e. g. *H* (hundreds), we wait 3 sec after that, number is saved to the memory, and *LED* will flash for one second. Then we can enter second number *T* (tens), and so on.

Example how to enter ID=25 (*H*=0, *T*=2, *O*=5) into ADV-101 memory :

	<i>Process</i>	<i>Reaction</i>	<i>Note</i>
1	Shortly press <i>PROG</i> button	After 1 sec <i>LED</i> turns OFF	Programming mode is active
2	Wait	After 3 sec <i>LED</i> flash for 1 sec	<i>H</i> =0 is entered
3	Shortly press <i>PROG</i> button two times and wait	After 3 sec <i>LED</i> flash for 1 sec	<i>D</i> =2 is entered
4	Shortly press <i>PROG</i> button five times and wait	After 3 sec <i>LED</i> flash twice and stays ON	<i>O</i> =5 is entered ID is stored to the memory

NOTE. If incorrect ID was entered (ID>255 or ID=0) LED will flash fast for 5 times and incorrect ID will NOT be entered to the memory.