



S200MF



S200TM

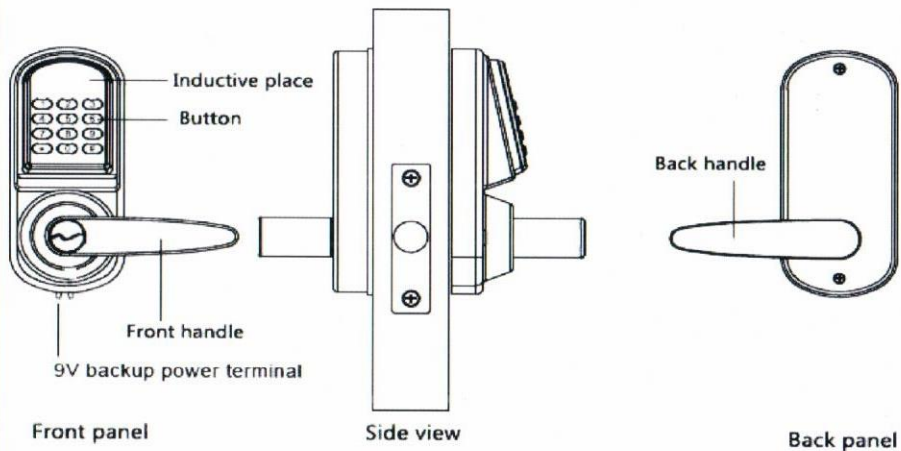
S200 Code Lock Manual

1. Product instruction

	Item No.	S200MF
	Dimension	154*68*78mm
	Material	Zinc Alloy
	Weight	2.3Kgs

1-1. Standard Single latch :

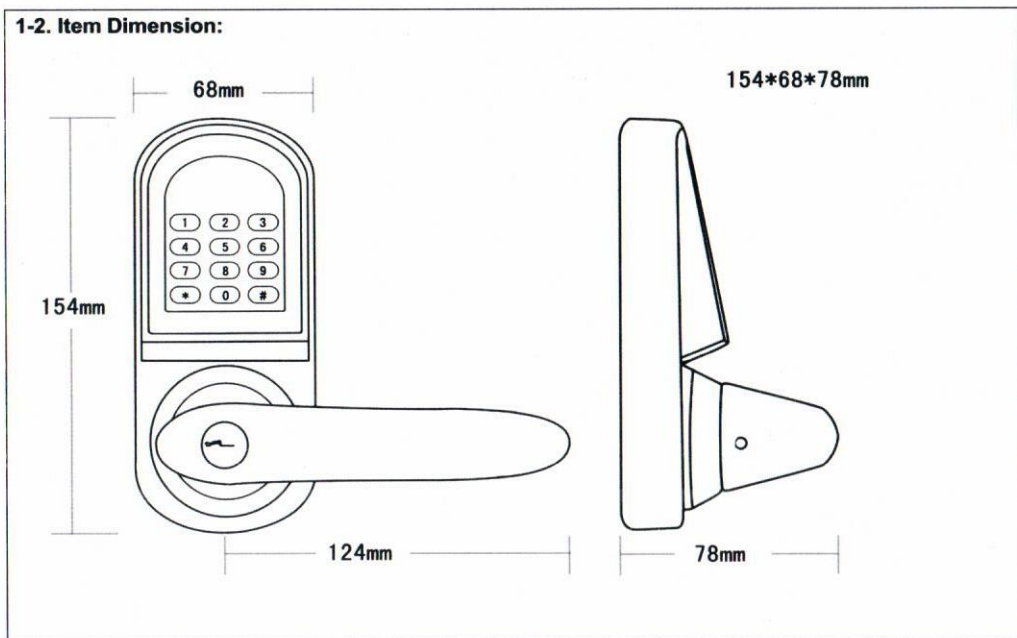
60mm and 70mm backset adjustable



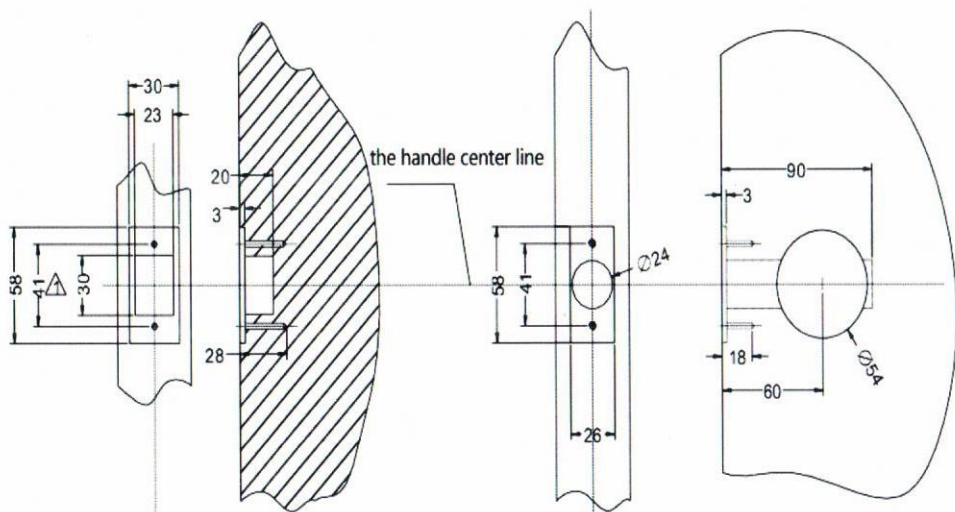
Technical Specification

Card type	Mifare-1 Card
Inductive distance	3cm
Unlock way	Card, Code, Code+Card, Mechanical key
Code length	4-8 digits
User capacity	200 users
Power supply	4pcs AA batteries
Static current	≤30uA
Working current	≤200mA

1-2. Item Dimension:



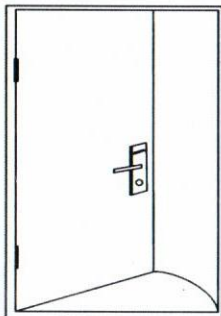
Door drill hole map:



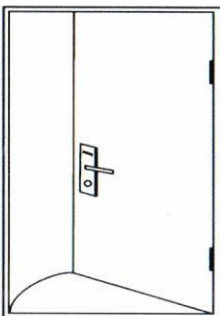
2. Installation Guide:

2-1. Installation condition

- ⌘ Door frame $\geq 110\text{mm}$
- ⌘ Door thickness: 38-50mm
- ⌘ Handle direction



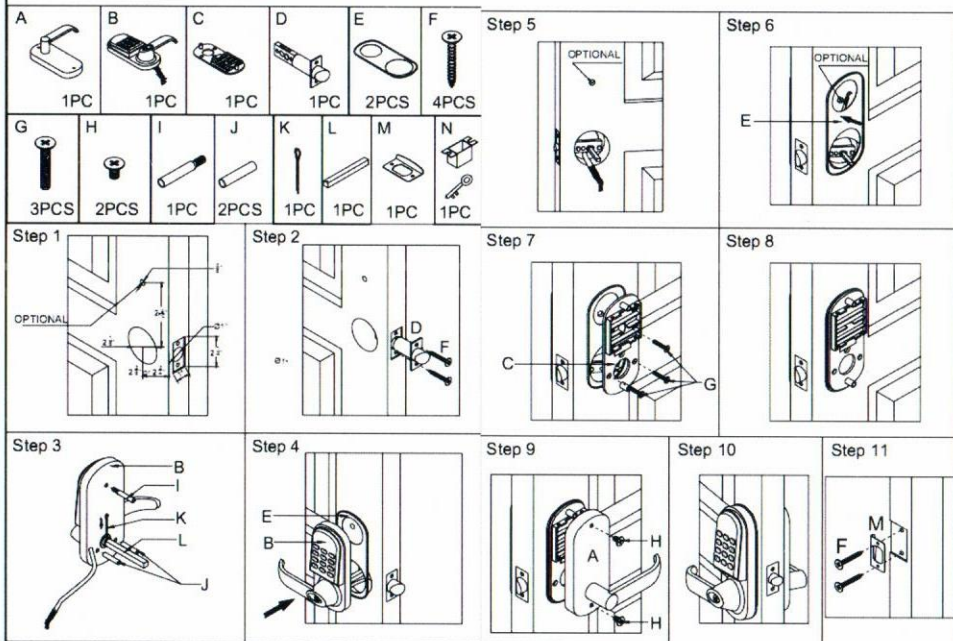
Left-handle
(open into room)



Right-handle
(open into room)

2-2. Installation instructions

ASSEMBLY INSTRUCTIONS



3. Operating Instruction

Factory default User Code to unlock the lock is 0#. Enter 0# to unlock the lock for testing. Factory default user code becomes invalid after adding user.

Factory default Master Code is 123456. Master code can add, delete, deactivate, activate user code and user key card, and add and delete one time use code. Please change master code to your Personal Master Code before programming the lock.

- **CHANGE MASTER CODE - 11**

- 1: Press #123456#
- 2: Press 11#
- 3: Enter Personal Master Code and press Pound Key ("#"). (Master code can be 4 - 8 digits)
- 4: Repeat step 3

- **ADD USER CODE - 01**

- 1: Press #Personal Master Code and press Pound Key ("#")
- 2: Press 01#
- 3: Enter Group Code and press Pound Key ("#"). (**Group Code can be from 001 - 200**)
- 4: Enter New User Code and press Pound Key ("#") (User Code can be 4 to 8 digits)
- 5: Press Pound Key ("#") twice to exit

- **ADD CARD OR KEY FOB – 01**

- 1: Press #Personal Master Code and press Pound Key ("#")
- 2: Press 01#
- 3: Enter Group Code and press Pound Key ("#")
- 4: Place the Card or Key Fob close to the lock (Maximum 3mm) and press Pound Key ("#")
- 5: Press Pound Key ("#") twice to exit

- **ADD USER CODE + CARD/KEY FOB - 01**

Under this circumstance, User Code and Card / Key Fob must be presented simultaneously to unlock the lock.

- 1: Press #Personal Master Code and press Pound Key ("#")
- 2: Press 01#
- 3: Enter Group Code and press Pound Key ("#")
- 4: Enter new User Code and press Pound Key ("#")
- 5: Place Card/Key Fob close to the lock
- 6: Press Pound Key ("#") twice to exit

- **DEACTIVATE USER CODE, CARD OR KEY FOB – 02**

- 1: Press #Personal Master Code and press Pound Key ("#")
- 2: Press 02#
- 3: Enter Group Code which is used by the User Code and press Pound Key ("#")

- **ACTIVATE USER CODE, CARD OR KEY FOB – 03**
 - 1: Press #Personal Master Code and press Pound Key (“#”)
 - 2: Press 03#
 - 3: Enter Group Code which is used by the User Code and press Pound Key (“#”)

- **DELETE USER CODE - 44**
 - 1: Press #Personal Master Code and press Pound Key (“#”)
 - 2: Press 44#
 - 3: Enter the Group Code which the user code is using and press Pound Key (“#”)

- **ADD ONE TIME USE ONLY CODE - 33**
 - 1: Press #Personal Master Code and press Pound Key (“#”)
 - 2: Press 33#
 - 3: Enter Group Code and press Pound Key (“#”)
 - 4: Enter One Time Use Code and press Pound Key (“#”)
 - 5: Press Pound Key (“#”) twice to exit

- **DELETE ONE TIME USE ONLY CODE - 23**
 - 1: Press #Personal Master Code and press Pound Key (“#”)
 - 2: Press 23#
 - 3: Enter Group Code which is being used by One Time Use Code and press Pound Key (“#”)

- **REVERT TO FACTORY SETTING**

Press the black reset button under battery box for 10 seconds until you hear didi sound. All codes and cards information will be deleted permanently. Master Code is reverted to factory default setting - “123456.”

ENCRYPTION

This function is aimed at preventing codes being observed while being entered.

1. Enter any sequence of the digits to confuse the observer.
2. Enter the user code, followed by the “#”.

PROGRAM CODE CHART

	Code No.	Function
1	11	Change master code
2	01	Add user code, card or key fob
3	02	Deactivate user code, card or key fob
4	03	Activate user code, card or key fob
5	23	Delete one time use only code
6	33	Add one time use only code
7	44	Delete user code