

D-FORCE300S

SWING GATE OPENERS

USER MANUAL



WE IMPROVE YOUR LIFE

D-FORCE300S

SWING GATE OPENERS

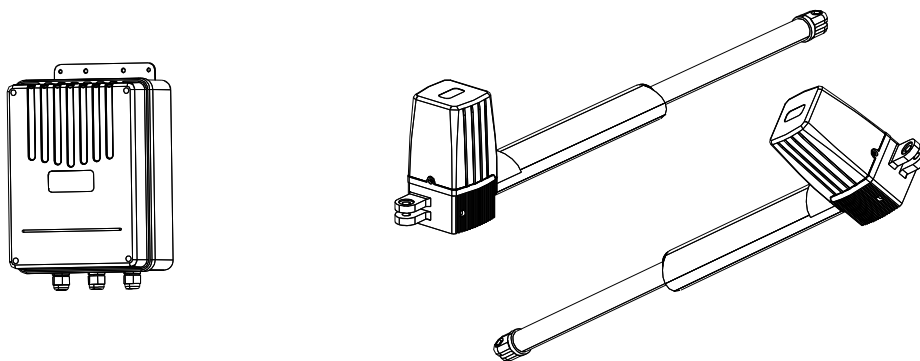
Contents

Introduction

Step 1 Specification.....	2
Step 2 Packing List.....	3
Step 3 Planning Installation Guide.....	4
Step 4 Programming Controller Guide.....	5-7
Step 5 Quick Installation Guide.....	8-11

SWING GATE OPENERS

Specification



Control box

Gate openers

- Back-up batteries for power failure operation.
- Incorporated radio receiver can be matched with 50 transmitters.
- Safe design to prevent PCB burned for wrong wiring connection.
- Over-current function meets European safety requirements.
- Modern appearance and easy installation.
- (Off,30sec) 2 modes of gate auto-close setting.
- 24V DC electro-mechanical gear motors for residential use.
- Planetary gear provides durability and silence in motor operation
- IP54 protection level for the gear motor
- Slowdown during opening and closing phase
- One leaf or two leaves installation is optional

Model	D-FORCE300S Series
Driving method:	Screw driven piston type
Operating Voltage:	DC24V for normal speed

	DC12V for cushioning speed
Max.Output power:	70W per driver
Max.piston stroke:	30cm
Max.piston speed:	1.5cm/sec
Operating cycle:	18second per 90(approx)
Max.single-leaf weight	300Kg per wing
Max.single-leaf length	2.5M
DSPS device	Electronic timing tracker
Gearbox	Worm gear
Safety clutch	Electronic current sensing
Limit switch	Without
Backup battery	24V/(4.5 or 7.0AH) (optional)
Safety barrier	Infrared sensor(optional)
Main supply	AC110V/220V,60Hz/50Hz
Electronic controller:	Microcomputer based
Remote controller:	UHF Digital PWM type
Temperature:	-20 to +70C
Protection Class:	IP54

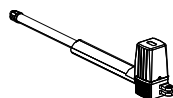
Safety•Auto Reverse function

When gate encounter an obstacle at opening or closing

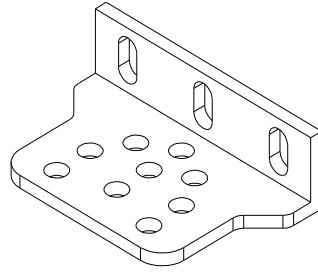
ARS Function(Automation Reversing System)

SWING GATE OPENERS

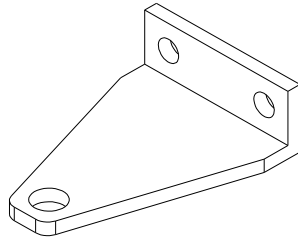
Packing List



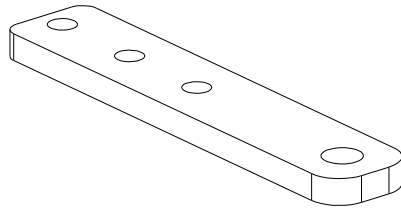
A Motor(DC24V).....2pcs



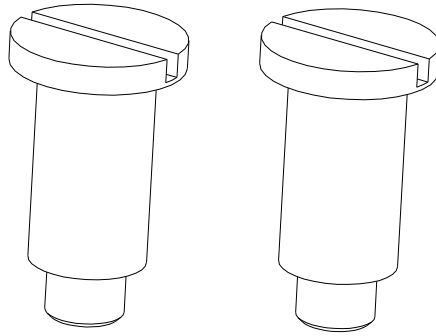
B Wall Bracket.....4pcs



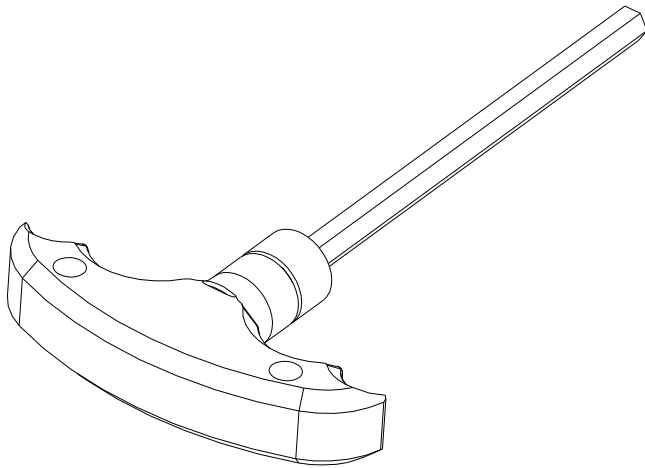
C “L” Bracket.....2pcs



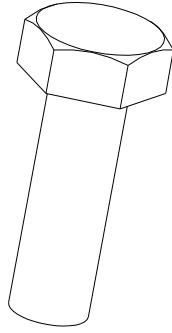
D “I” Bracket.....2pcs



E Threaded Pin.....4pcs



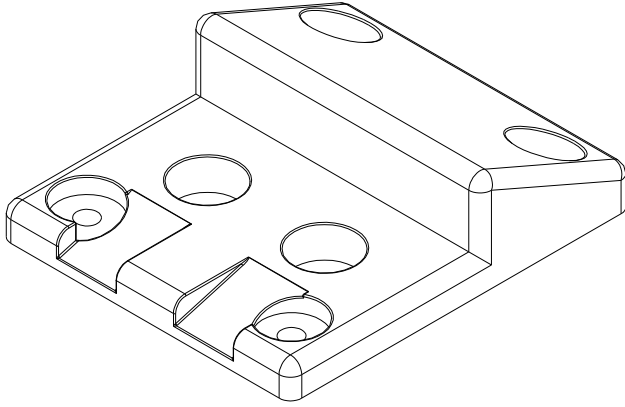
F Relief wrench.....1pcs



G M8 Screw.....4pcs



H M8 Nut.....8pcs

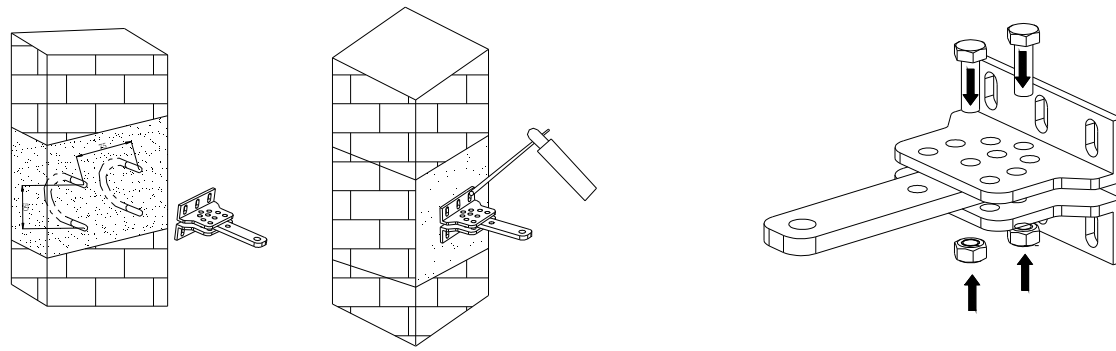


I Stopper.....1pcs Selectable

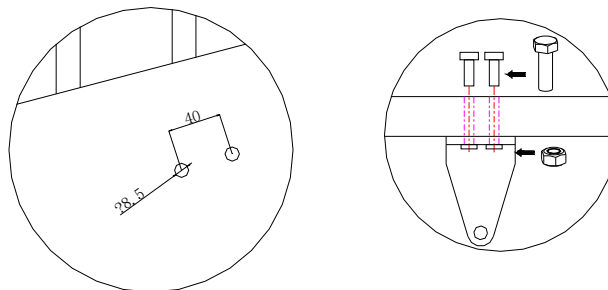
SWING GATE OPENERS

Quick Installation Guide

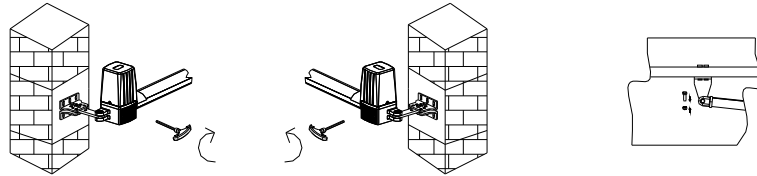
Welding Wall Bracket and Fix "I" Bracket



Fix "L" Bracket

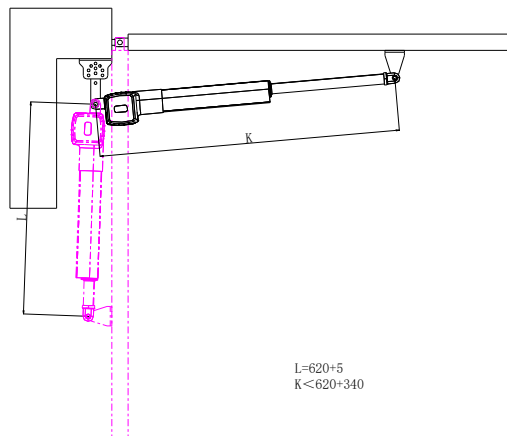


Fix Motor



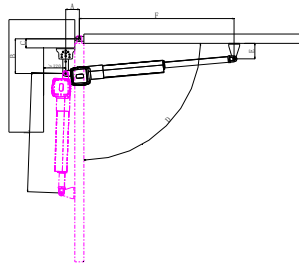
SWING GATE OPENERS

Quick Installation Guide



SWING GATE OPENERS

Quick Installation Guide



A	B	C max	D max	E	F
150	150	68	95°	75	940
120	160	78	110°		
120	180	98	100°		
160	120	38	105°		

CONTROL BOX

DIP Switch setting

Close Delay



DIP SWITCH	Motor 1 (LOCK)	Motor 2
DIP 1	ON	OFF

When the door to run the opening direction.

(Motor 2) running first than (Motor 1) delay 5 sec running closing direction.

Open Reverse



DIP SWITCH	ENABLE	UNABLE
DIP 2	ON	OFF

When the door to run the opening direction.

(Motor1)and (Motor 2) runing close direction 0.5sec first than running open direction.

Single/Double Mode



DIP SWITCH	Single Mode	Double Mode
DIP 3	ON	OFF

Auto Close Function



DIP SWITCH	ENABLE	UNABLE
DIP 4	OFF	ON

DIP 4(ON)... ENABLE(DIP5/DIP6) Auto Close setting Function.

DIP 4(OFF)...UNABLE(DIP5/DIP6) Auto Close setting Function.



Automatically Close Setting

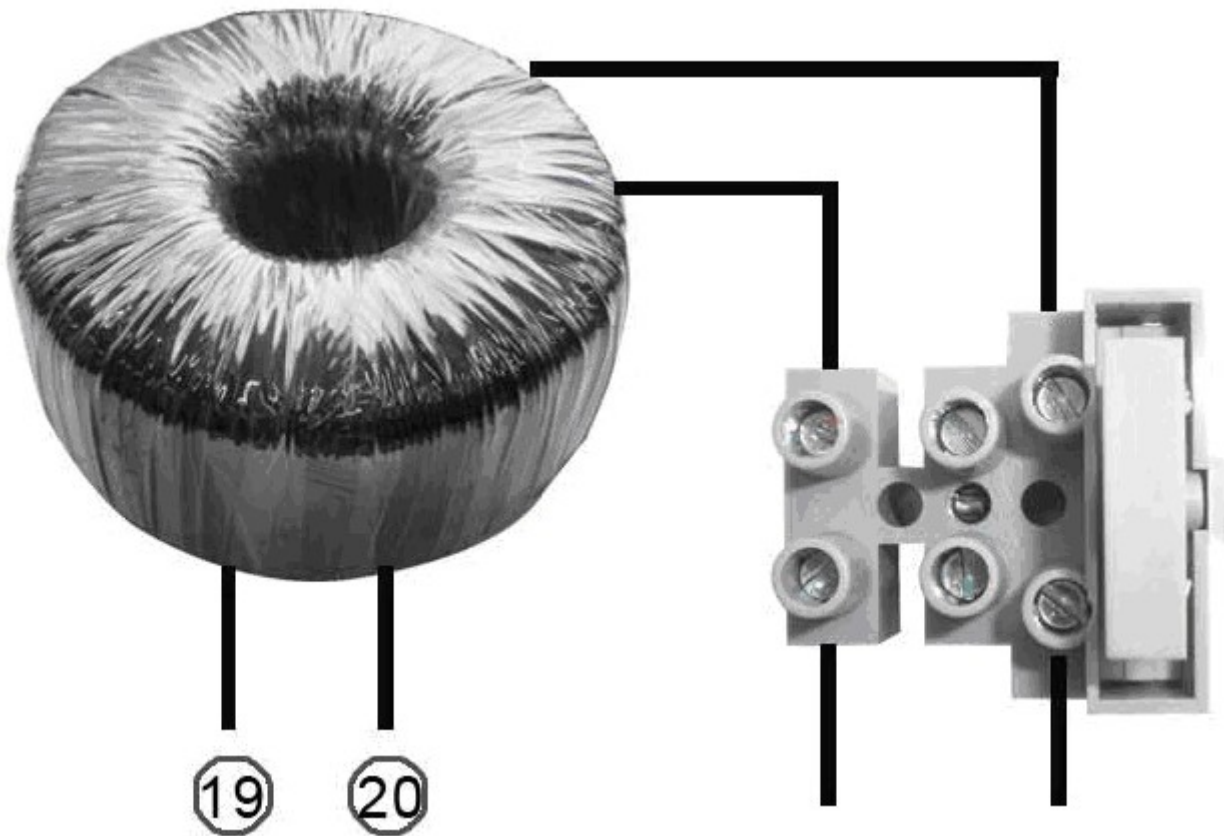
DIP SWITCH	60	10 sec	5 sec	0 sec
DIP 5	ON	ON	OFF	OFF
DIP 6	ON	OFF	ON	OFF

When the motor is operated to open the door position stop.
Automatically closed setting function to start performing.

Wire Connecting

Make sure that the power is OFF before making any electrical connections.
Remove the cover, perform the wiring (See Fig and wiring notes for control board) and
replace the cover again.

A. Power Input:



AC220V or AC110V (please sure the power supply if suit for the products in your
area)

B. Caution light (connect to control board terminal 1 and 2) (not include)



Use DC24V Voltage



Distance(10m) 22AWG

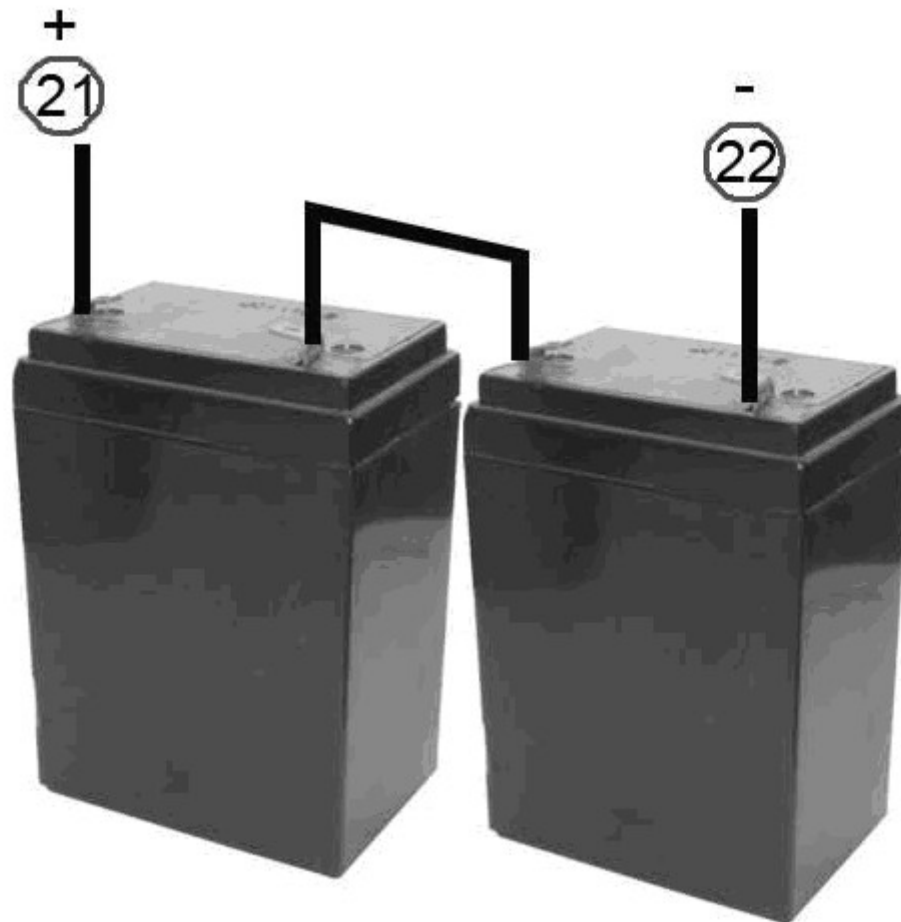
C. Motor 1 & Motor 2 (connect to control board 3,4 5,6)

Blue (3)
Brown (4)

Blue (5)
Brown (6)

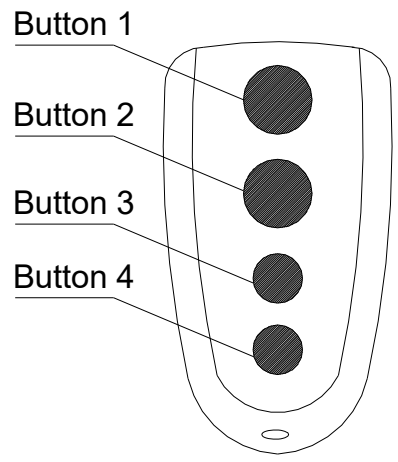


D. Battery (DC24V 2.6AH)(connect to control board 21 and 22)(not include)

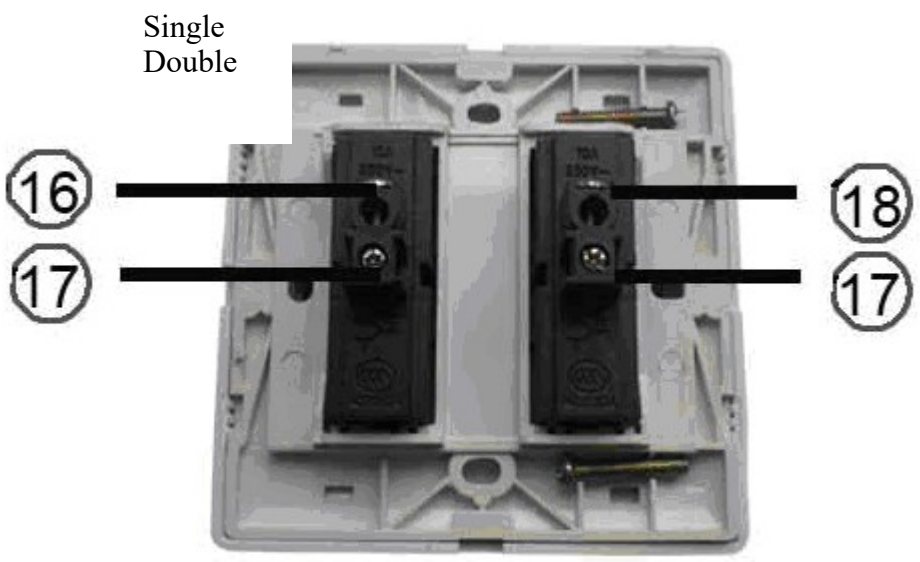


E. Remote control

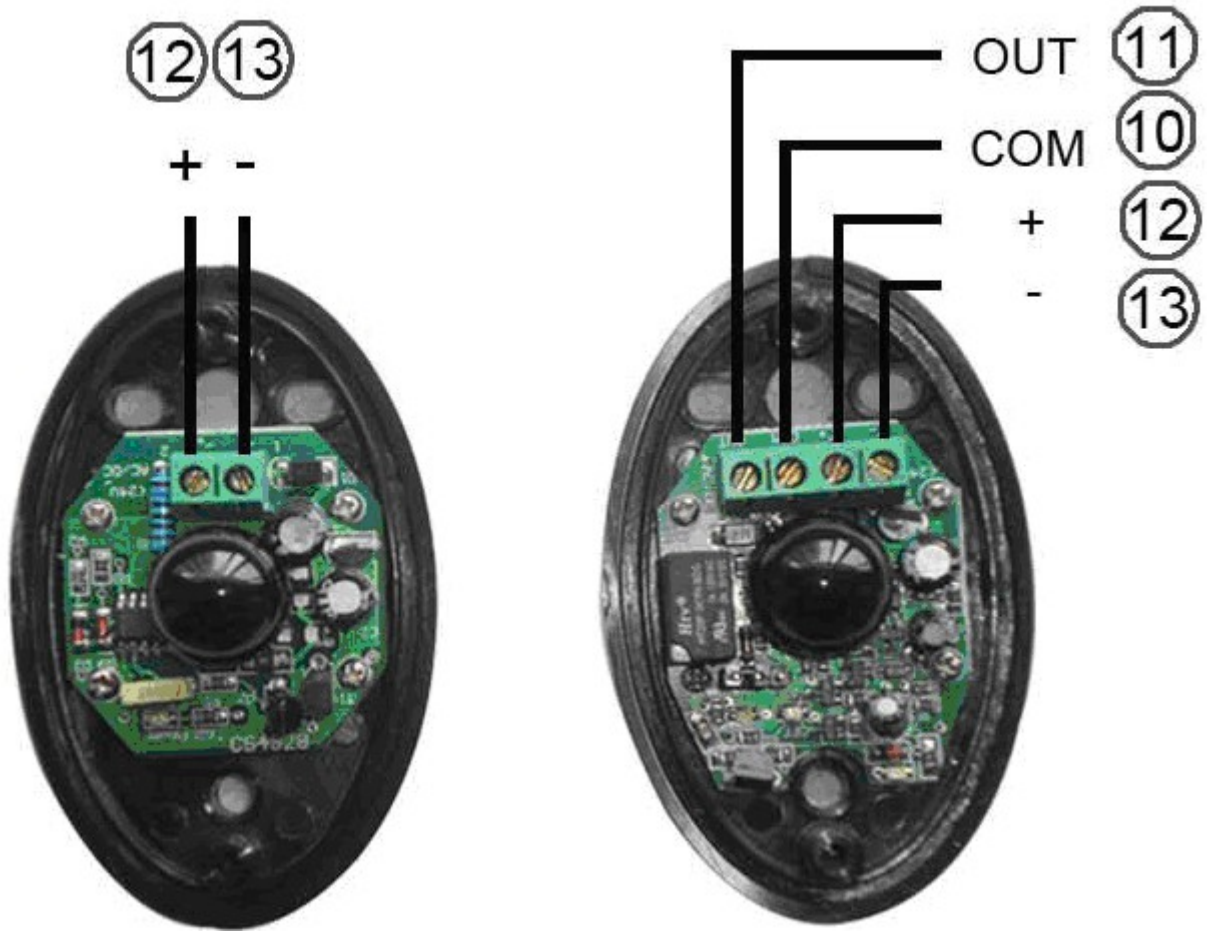
- Adding extra remote controls (Learn): Remove the cover, press and hold the learn button(SW1) one time, then the 'LED of LEARN' will be on, then press the remote same control button two times, the 'LED' will flashing 4 times then turn off . The learning process is finished.
Up to 25 remote controls may be used.
- Erase remote controls: To erase all existing remote controls, press and hold learn button , the LED of 'LEARN' will turns on, release the button until the LED turns off. This indicates that all the remote controls have been erased completely.
- The button mode: the button 1 is double side control, when you press the button 1 the both side of the door will work. The button 2 is single side control, when you press the button 2 the first side of the door will work.



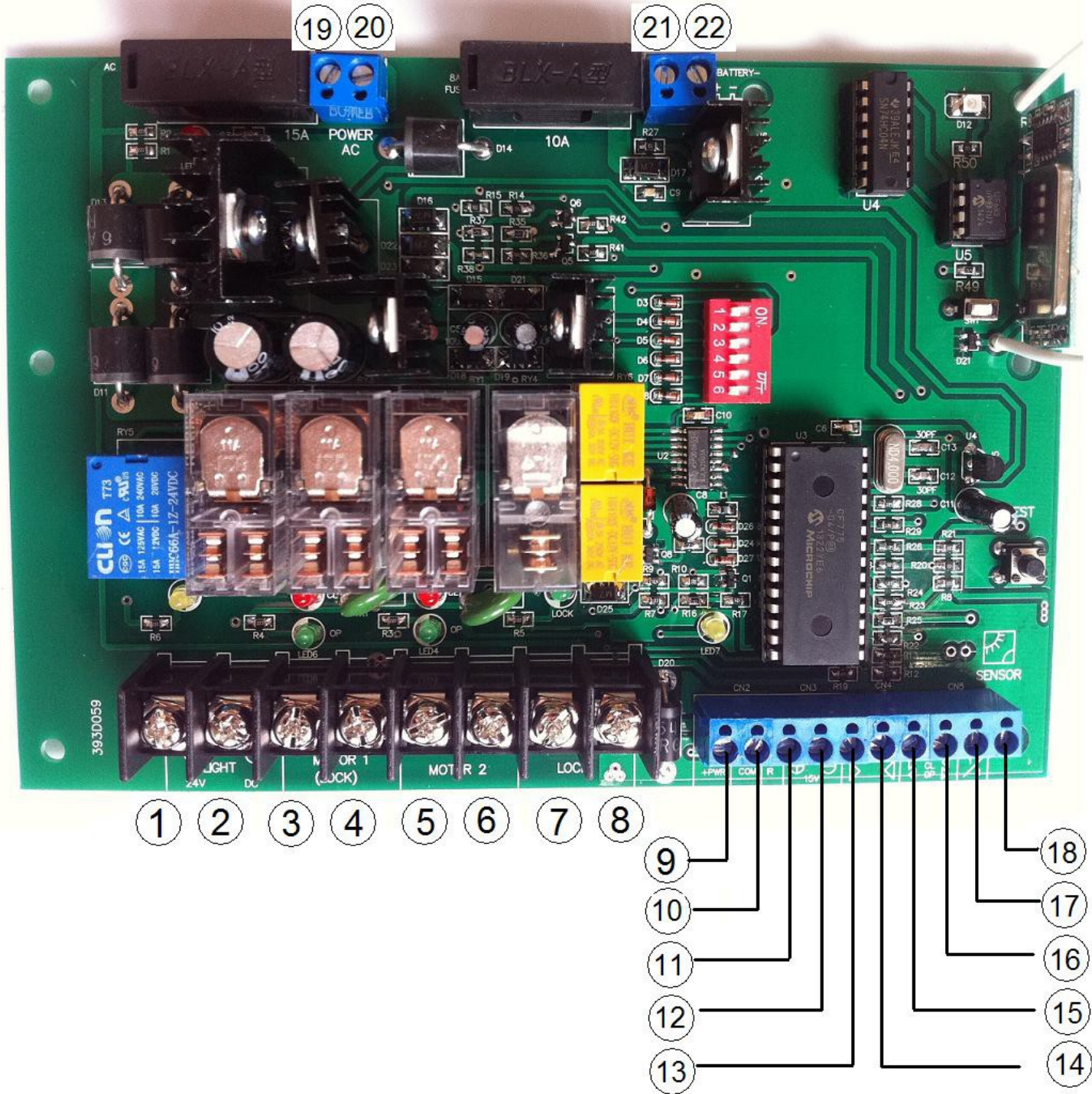
F. Push Button(connect to control board 16,17and18) (not include)



G.. Photo Cell (connect to control board 10, 11,12and 13) (not include)



H. Electric Lock (connect to control board 7 and 8) (not include)



Control board